


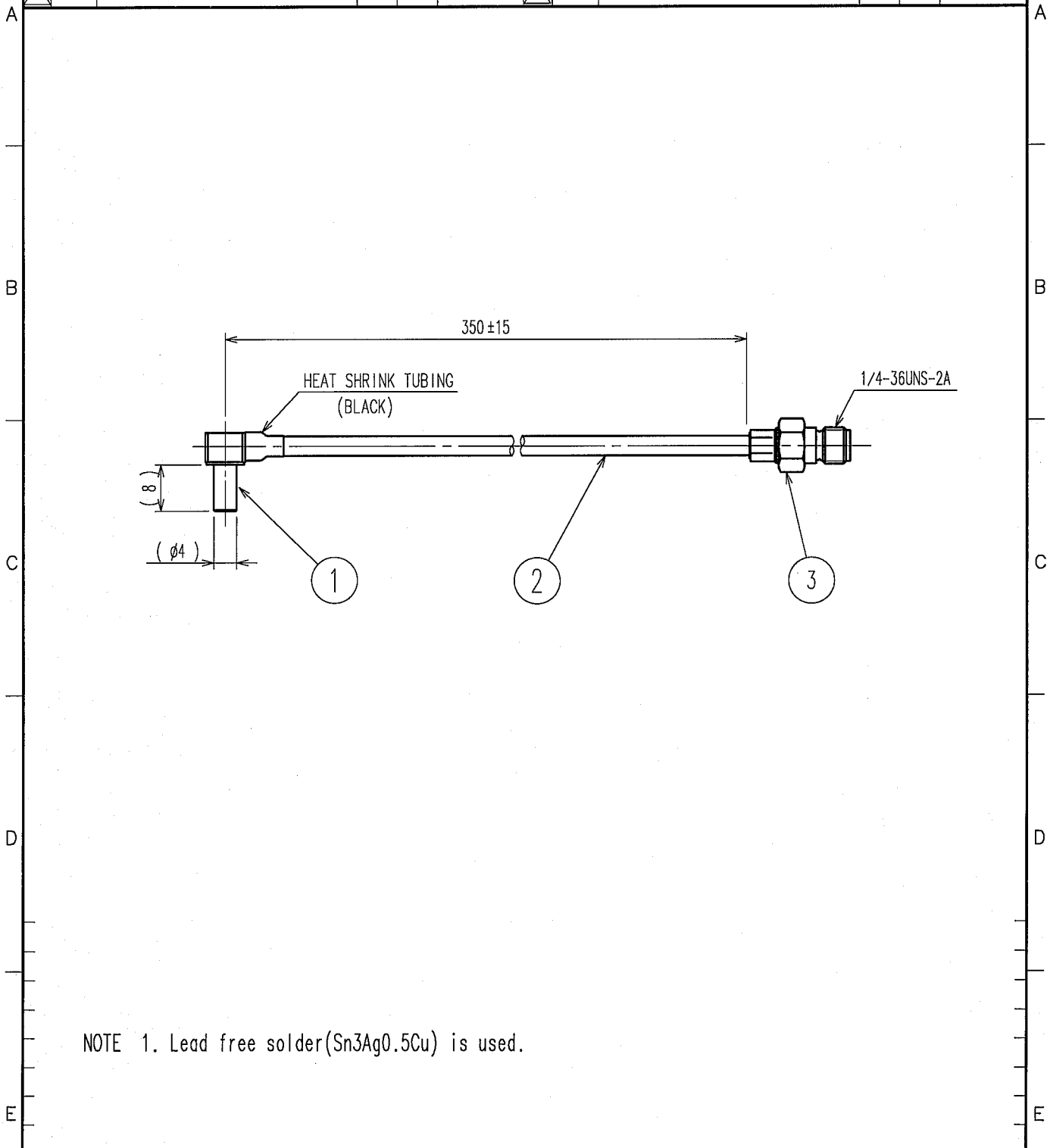


APPLICABLE STANDARD				
RATING	POWER	4 W	CHARACTERISTIC IMPEDANCE	50 Ω
	OPERATING TEMPERATURE RANGE	-40°C TO +85 °C	STORAGE TEMPERATURE RANGE	-40°C TO +85 °C NO CONDENSATION
	FREQUENCY RANGE	DC TO 6 GHz	APPLICABLE CABLE	1.5D-HQEW
	OPERATING HUMIDITY RANGE	TO 90 %	CONNECTOR	HRM-J,MS-162-C(LP)-1
<b>SPECIFICATIONS</b>				
ITEM	TEST METHOD	REQUIREMENTS	QT	AT
<b>CONSTRUCTION</b>				
GENERAL EXAMINATION	VISUALLY AND BY MEASURING INSTRUMENT.	ACCORDING TO DRAWING.	×	×
<b>ELECTRIC CHARACTERISTICS</b>				
V.S.W.R.	FREQUENCY DC TO 3 GHz.	1.4 MAX.	×	—
	FREQUENCY 3 TO 6 GHz.	1.8 MAX.		
CONTACT RESISTANCE	VALUE AT MAXIMUM OF DC 100mA .	CENTER 180 mΩ MAX.	×	×
		OUTER 150 mΩ MAX.		
INSULATION RESISTANCE	VALUE AT DC 100V.	1000 MΩ MIN.	×	—
VOLTAGE PROOF	MUST KEEP THE AC 100 V FOR 1 min.	NO FLASHOVER OR BREAKDOWN.	×	×
<b>MECHANICAL CHARACTERISTICS</b>				
DURABILITY	12000 TIMES INSERTION AND EXTRACTIONS SHALL BE DONE.	① CONTACT RESISTANCE: CENTER 180 mΩ MAX OUTER 150 mΩ MAX ② NO DAMAGE, CRACK, AND LOOSENESS OF PARTS.	×	—
CABLE TERMINATION STRENGTH	TENSILE FORSE AT MAXIMUM 49 N IS APPLIED TO THE CABLE AXIALLY.	① CABLE MUST NOT BE LOOSEN OR BROKEN. ② NO DAMAGE AT THE CLAMP.	×	—
COUNT	DESCRIPTION OF REVISIONS	DESIGNED	CHECKED	DATE
				
REMARK		APPROVED	KJ. KAWAMURA	07.06.29
Lead-Free Solder(Sn3.0Ag0.5Cu) is used.		CHECKED	RZ. KANO	07.06.29
		DESIGNED	YH. MATSUO	07.06.29
Unless otherwise specified, refer to JIS C 5402.		DRAWN	YH. MATSUO	07.06.29
Note QT:Qualification Test AT:Assurance Test X:Applicable Test		DRAWING NO.		ELC4-180704-00
	SPECIFICATION SHEET	PART NO.	MS162L1-HRMJ-15W350	
	HIROSE ELECTRIC CO., LTD.	CODE NO.	CL362-0130-7-00	 1/1

2008/01/16 08:35:06 HK. HORINO

DRAWING FOR REFERENCE: This is subject to change without notice

1					2					3					4				
COUNT	DESCRIPTION OF REVISIONS				BY	CHKD	DATE	COUNT	DESCRIPTION OF REVISIONS				BY	CHKD	DATE				
△							..	△							..				
△								△							..				
△								△							..				



NOTE 1. Lead free solder(Sn3Ag0.5Cu) is used.

2	1.5D-HQEW	FUJIKURA CO.,LTD			
1	MS-162-C(LP)-1	CL358-0222-4-00	3	HRM-200-1.5WJBN(40)	CL323-0711-7-40
NO.	MATERIAL	FINISH, REMARKS	NO.	MATERIAL	FINISH, REMARKS

CODE NO. (OLD)	DRAWN	DESIGNED	CHECKED	APPROVED	RELEASED
	<i>Y. Matsuo</i>	<i>Y. Matsuo</i>	<i>R. Kanu</i>	<i>H. Kawamura</i>	
	'07.6.29	'07.6.29	'07.6.29	'07.6.29	

 SCALE 1 : 1 UNITS mm	DRAWING NO. EDC4-180704	PART NO. MS162L1-HRMJ-15W350	CODE NO. CL362-0130-7	1 1
	 HIROSE ELECTRIC CO.,LTD.			

TO
RFD

